

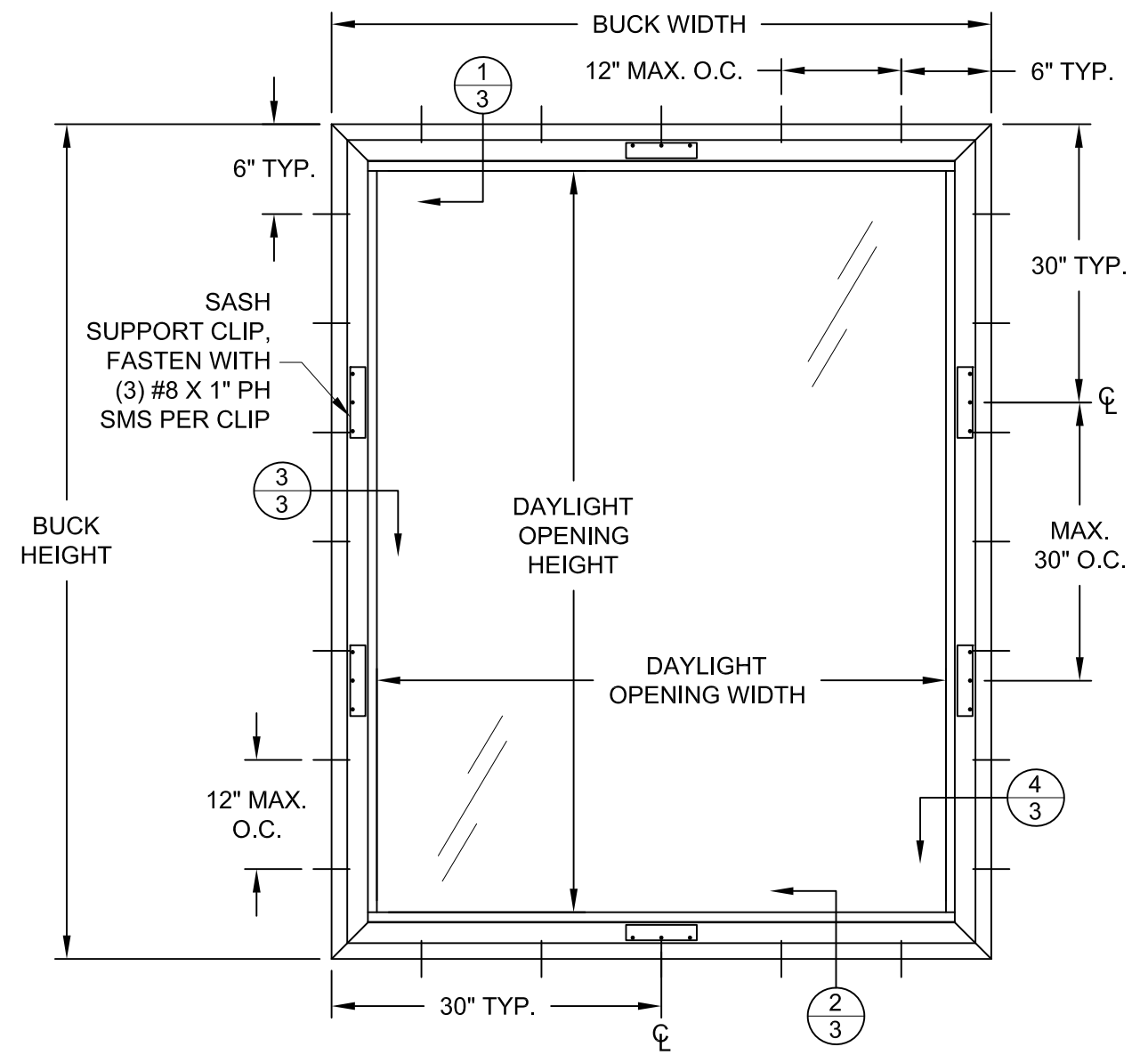


**SERIES 8000, MODEL 8600
PICTURE WINDOW,
NON-IMPACT RESISTANT,
EQUAL-LEG FRAME**

- 1) THIS PRODUCT HAS BEEN DESIGNED & TESTED TO COMPLY WITH THE REQUIREMENTS OF THE FLORIDA BUILDING CODE, EXCLUDING THE HIGH VELOCITY HURRICANE ZONE (HVHZ).
- 2) SHUTTERS ARE REQUIRED WHEN USED IN WIND-BORNE DEBRIS REGIONS.
- 3) MASONRY ANCHORS MAY BE USED INTO WOOD. ALL WOOD BUCKS LESS THAN 1-1/2" THICK ARE TO BE CONSIDERED 1X INSTALLATIONS. 1X WOOD BUCKS ARE OPTIONAL IF UNIT IS INSTALLED DIRECTLY TO SUBSTRATE. WOOD BUCKS DEPICTED AS 2X ARE 1-1/2" THICK OR GREATER.
- 4) ANCHOR EMBEDMENT TO BASE MATERIAL SHALL BE BEYOND WALL DRESSING OR STUCCO. USE ANCHORS OF SUFFICIENT LENGTH.
- 5) MAX. 1/4" SHIMS ARE REQUIRED AT EACH ANCHOR LOCATION WHERE THE PRODUCT IS NOT FLUSH TO THE SUBSTRATE. USE SHIMS CAPABLE OF TRANSFERRING APPLIED LOADS.
- 6) THE ANCHORAGE METHODS SHOWN HAVE BEEN DESIGNED TO RESIST THE WIND LOADS CORRESPONDING TO THE REQUIRED DESIGN PRESSURE. THE 33-1/3% STRESS INCREASE HAS NOT BEEN USED IN THE DESIGN OF THIS PRODUCT. THE 1.6 LOAD DURATION FACTOR WAS USED FOR THE EVALUATION OF ANCHORS INTO WOOD. ANCHORS THAT COME INTO CONTACT WITH OTHER DISSIMILAR MATERIALS SHALL MEET THE REQUIREMENTS OF THE FLORIDA BUILDING CODE FOR CORROSION RESISTANCE.

DAYLIGHT OPENING WIDTH = BUCK WIDTH - 7-1/8"
 DAYLIGHT OPENING HEIGHT = BUCK HEIGHT - 7-1/8"

FLORIDA PRODUCT APPROVAL #39123

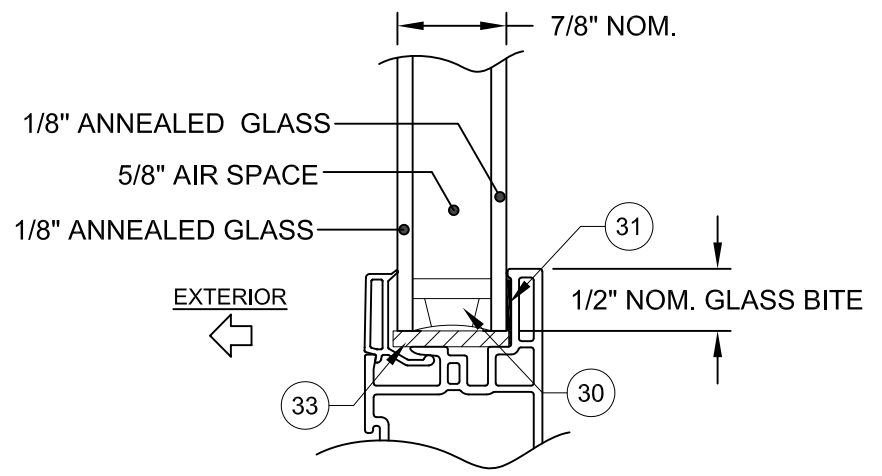


TYP. ANCHOR/CLIP LOCATIONS

TABLE 1:

Design Pressure (psf) using Glass Type 1, Sash Support Clips & Reinforcement									
		Short Side (in)							
		24"	28"	32"	36"	40"	44"	48"	52-1/2"
Long Side (in)	52-1/2"	+/-50	+/-50	+/-50	+/-50	+/-50	+/-50	+/-50	+/-50
	56"	+/-50	+/-50	+/-50	+/-50	+/-50	+/-50	+/-50	+/-50
	60"	+/-50	+/-50	+/-50	+/-50	+/-50	+/-50	+/-50	
	64"	+/-50	+/-50	+/-50	+/-50	+/-50	+/-50		
	68"	+/-50	+/-50	+/-50	+/-50	+/-50			
	72"	+/-50	+/-50	+/-48.2	+/-49.5				
	76"	+/-50	+/-50	+/-44.8	+/-45.4				
	80"	+/-50	+/-47.8	+/-41.8					
	90-1/8"	+/-50	+/-44.5						

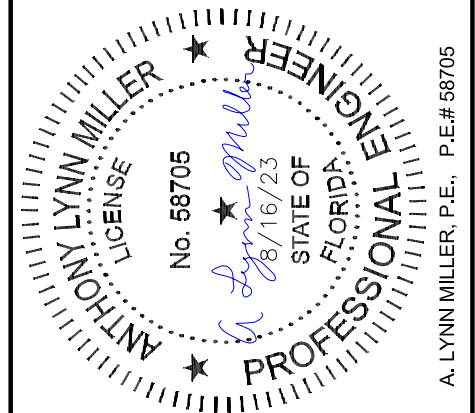
1) FOR SIZES NOT SHOWN, ROUND UP TO THE NEXT AVAILABLE WIDTH OR HEIGHT DIMENSION.
 2) FOR UNITS WITHOUT REINFORCEMENT & SASH SUPPORT CLIPS, THE (+) DP IS LIMITED TO +40.0 PSF.



GLASS TYPE 1
 (SEE NEXT SHEET FOR
 ADDITIONAL GLASS TYPES)

DESIGN PRESSURE RATING
 VARIES, SEE TABLES 1-4

NOT RATED FOR
 MISSILE IMPACT
 RESISTANCE



REGISTRATION #29296
 COPYRIGHT © 2021
 NEWSOUTH WINDOW SOLUTIONS
 LIMITED LICENSE TO MAKE
 COPIES FOR PERMITTING

PREPARED BY: A. LYNN MILLER, P.E.
 1070 TECHNOLOGY DR
 N. VENICE, FL 34275
 (941)-480-1600

MODEL 8600 PICTURE WINDOW
 GENERAL NOTES, DESIGN PRESSURES,
 GLAZING DETAILS & ANCHOR ELEVATION

NEWSOUTH WINDOW SOLUTIONS
 10741 CROSSROADS COMMERCE BLVD.
 TAMPA, FL 33610

REVISION:	BY:	SB
DATE:	REVISION:	REMOVE ULTRACONS, ADD SILICONE
#:	DATE:	08/16/23
DATE:	#:	A
SCALE:	DATE:	05/24/21
BY:	SCALE:	NTS
DRAWING #:	BY:	JENS ROSOWSKI
SHEET:	DRAWING #:	PW8600-FPA-01
	SHEET:	1 OF 4

TABLE 2:

Design Pressure (psf) using Glass Type 2, Sash Support Clips & Reinforcement									
	Short Side (in)								
	32"	36"	40"	44"	48"	52"	56"	59-3/4"	
Long Side (in)	59-3/4"	+/-50	+/-50	+/-50	+/-50	+/-50	+/-50	+/-50	+/-50
	64"	+/-50	+/-50	+/-50	+/-50	+/-50	+/-50		
	68"	+/-50	+/-50	+/-50	+/-50	+/-50	+/-50		
	72"	+/-50	+/-50	+/-50	+/-50	+/-50			
	76"	+/-50	+/-50	+/-50	+/-50				
	80"	+/-50	+/-50	+/-50	+/-50				
	88"	+/-50	+/-50	+/-50					
	96"	+/-50	+/-50						
	102-1/8"	+/-50							

1) FOR SIZES NOT SHOWN, ROUND UP TO THE NEXT AVAILABLE WIDTH OR HEIGHT DIMENSION.
 2) FOR UNITS WITHOUT REINFORCEMENT & SASH SUPPORT CLIPS, THE (+) DP IS LIMITED TO +40.0 PSF.

TABLE 3:

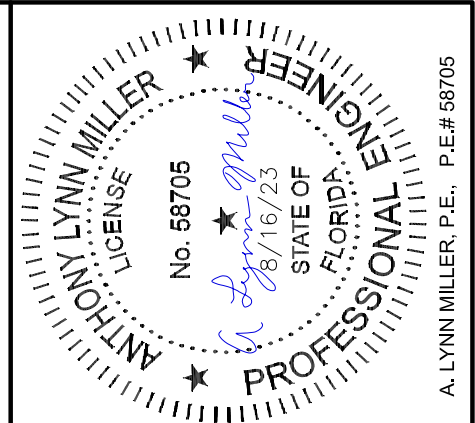
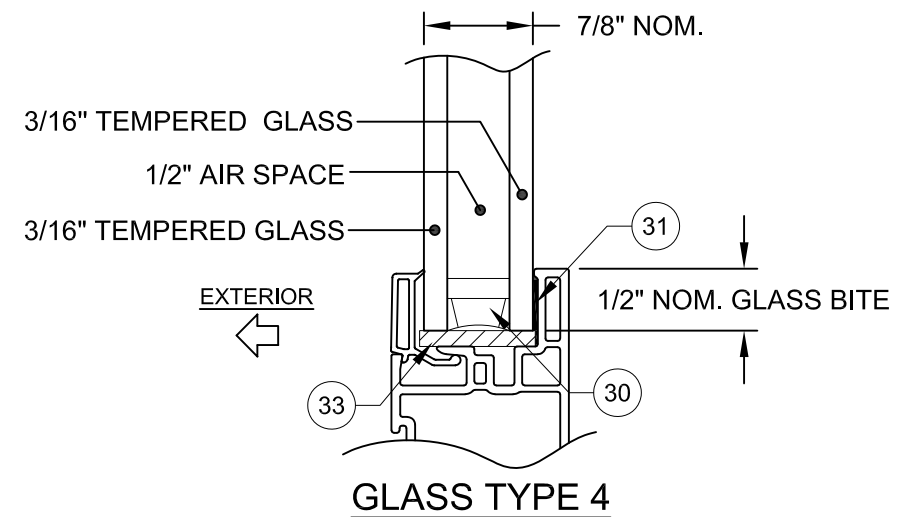
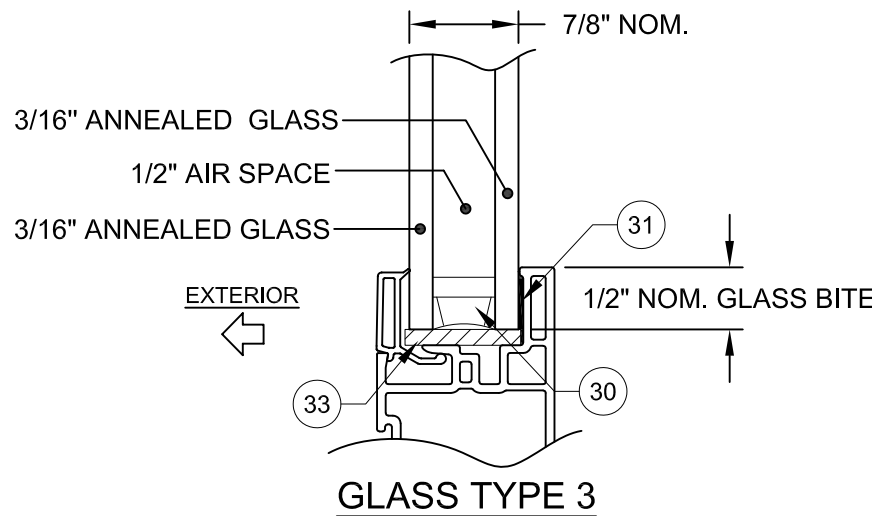
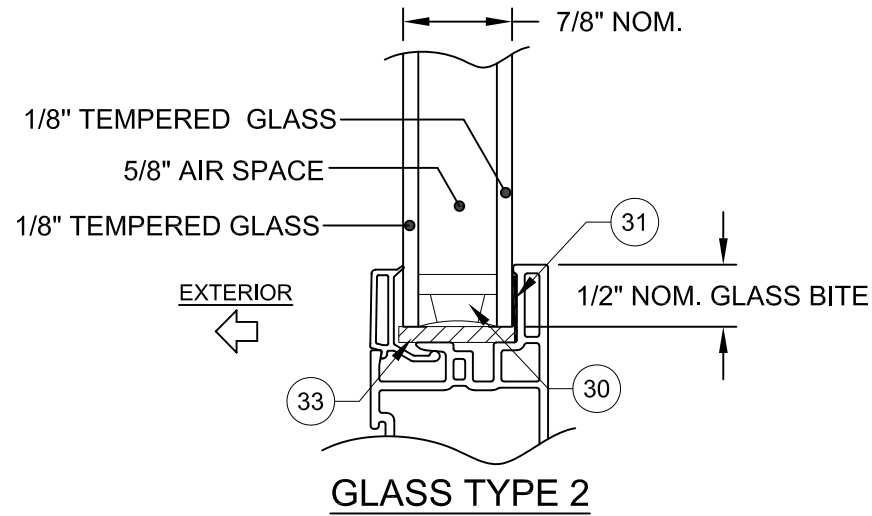
Design Pressure (psf) using Glass Type 3, Sash Support Clips & Reinforcement									
	Short Side (in)								
	48"	52"	56"	60"	64"	68"	72"	74-1/4"	
Long Side (in)	74-1/4"	+/-50	+/-50	+/-50	+/-50	+/-50	+/-50	+/-50	+/-50
	76"	+/-50	+/-50	+/-50	+/-50	+/-50	+/-50	+/-50	
	80"	+/-50	+/-50	+/-50	+/-50	+/-50	+/-50		
	84"	+/-50	+/-50	+/-50	+/-50	+/-50			
	88"	+/-50	+/-50	+/-50	+/-50				
	92"	+/-50	+/-50	+/-50	+/-49.6				
	96"	+/-48.5	+/-48.7	+/-48.7					
	102-1/8"	+/-44.5	+/-44.8						

1) FOR SIZES NOT SHOWN, ROUND UP TO THE NEXT AVAILABLE WIDTH OR HEIGHT DIMENSION.
 2) FOR UNITS WITHOUT REINFORCEMENT & SASH SUPPORT CLIPS, THE (+) DP IS LIMITED TO +40.0 PSF.

TABLE 4:

Design Pressure (psf) using Glass Type 4, Sash Support Clips & Reinforcement														
	Short Side (in)													
	28"	32"	36"	40"	44"	48"	52"	56"	60"	64"	68"	72"	74-1/4"	
Long Side (in)	74-1/4"	+/-50	+/-50	+/-50	+/-50	+/-50	+/-50	+/-50	+/-50	+/-50	+/-50	+/-50	+/-50	+/-50
	76"	+/-50	+/-50	+/-50	+/-50	+/-50	+/-50	+/-50	+/-50	+/-50	+/-50	+/-50		
	80"	+/-50	+/-50	+/-50	+/-50	+/-50	+/-50	+/-50	+/-50	+/-50	+/-50	+/-50		
	84"	+/-50	+/-50	+/-50	+/-50	+/-50	+/-50	+/-50	+/-50	+/-50	+/-50			
	88"	+/-50	+/-50	+/-50	+/-50	+/-50	+/-50	+/-50	+/-50	+/-50	+/-50			
	92"	+/-50	+/-50	+/-50	+/-50	+/-50	+/-50	+/-50	+/-50	+/-50	+/-50			
	96"	+/-50	+/-50	+/-50	+/-50	+/-50	+/-50	+/-50	+/-50	+/-50				
	104"	+/-50	+/-50	+/-50	+/-50	+/-50	+/-50	+/-50						
	108"	+/-50	+/-50	+/-50	+/-50	+/-50	+/-50							
	120"	+/-50	+/-50	+/-50	+/-50	+/-50								
	136"	+/-50	+/-50	+/-50										
	144"	+/-50	+/-50											
	148-5/8"	+/-50	+/-50											

1) FOR SIZES NOT SHOWN, ROUND UP TO THE NEXT AVAILABLE WIDTH OR HEIGHT DIMENSION.
 2) FOR UNITS WITHOUT REINFORCEMENT & SASH SUPPORT CLIPS, THE (+) DP IS LIMITED TO +40.0 PSF.

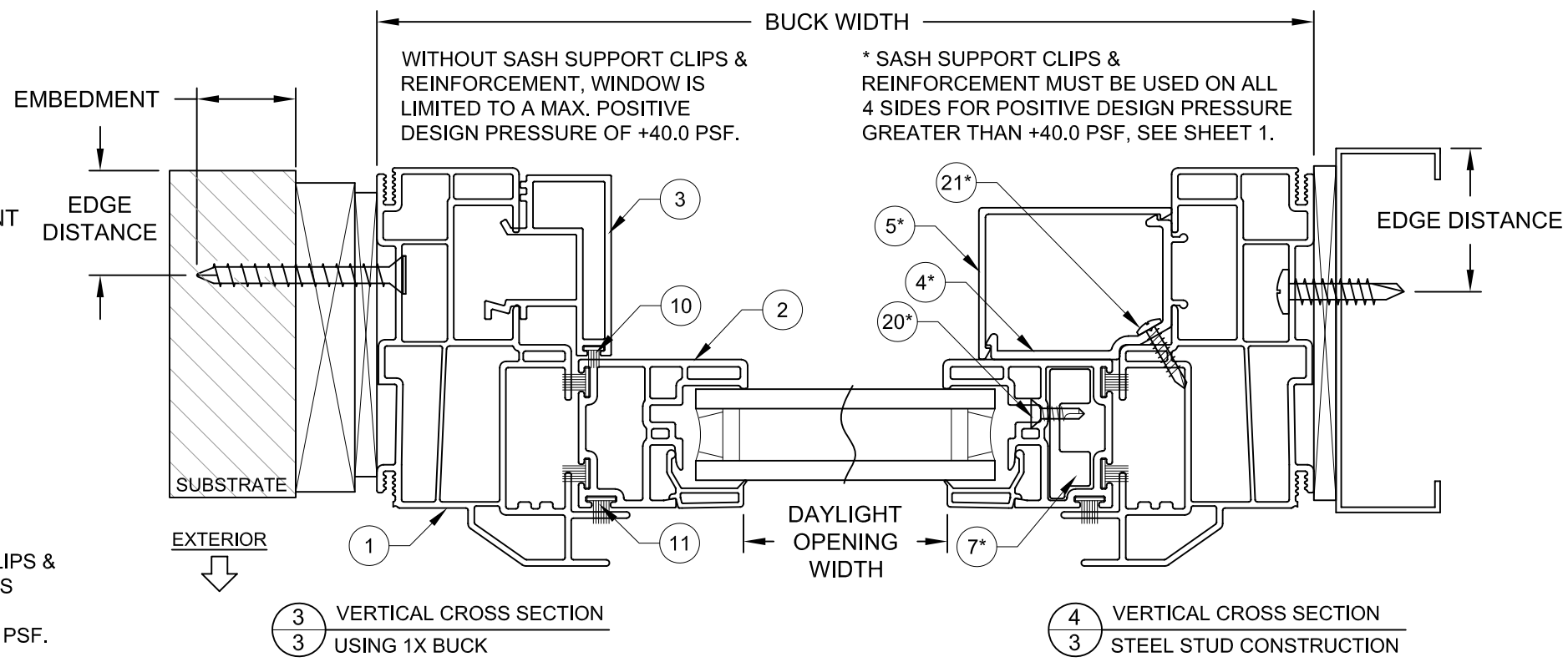
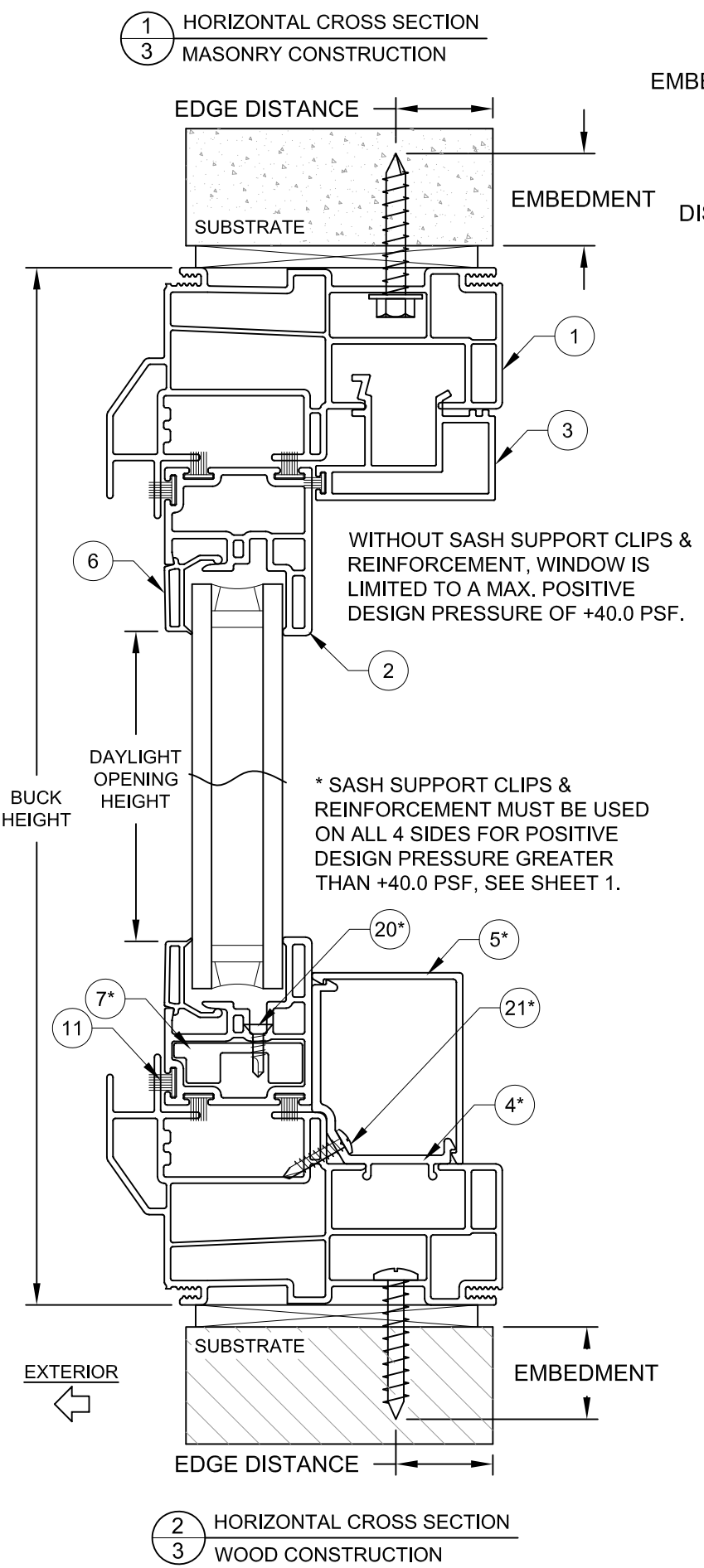


REGISTRATION #29296
 COPYRIGHT © 2021
 NEWSOUTH WINDOW SOLUTIONS
 LIMITED LICENSE TO MAKE
 COPIES FOR PERMITTING

PREPARED BY: A. LYNN MILLER, P.E.
 1070 TECHNOLOGY DR
 N. VENICE, FL 34275
 (941) 480-1600

MODEL 8600 PICTURE WINDOW
 DESIGN PRESSURES & GLAZING DETAILS
 NEWSOUTH WINDOW SOLUTIONS
 10741 CROSSROADS COMMERCE BLVD.
 TAMPA, FL 33610

BY:	SB
REVISION:	REMOVE ULTRACONS, ADD SILICONE
DATE:	08/16/23
#:	A
DATE: 05/24/21	
SCALE: NTS	
BY: JENS ROSOWSKI	
DRAWING #: PW8600-FPA-01	
SHEET: 2 OF 4	



INSTALLATION NOTES:

1) CONCRETE ANCHOR LOCATIONS AT THE CORNERS MAY BE LOWERED TO MAINTAIN THE MINIMUM EDGE DISTANCE TO MORTAR JOINTS. SEE SHEET 1 FOR ANCHOR SPACING REQUIREMENTS.

2) CONCRETE ANCHOR LOCATIONS NOTED AS "MAX. ON CENTER" MUST BE ADJUSTED TO MAINTAIN THE MINIMUM EDGE DISTANCE TO MORTAR JOINTS. ADDITIONAL CONCRETE ANCHORS MAY BE REQUIRED TO ENSURE THE "MAX. ON CENTER" DIMENSION IS NOT EXCEEDED.

3) ANY INSTALLATION OPTION SHOWN (2X BUCK, 1X BUCK, DIRECT TO MASONRY, STEEL STUD) MAY BE USED ON ANY SIDE OF THE WINDOW.

4) USE ONLY SUBSTRATE APPROPRIATE ANCHORS LISTED IN ANCHOR TABLE. FOLLOW EMBEDMENT AND EDGE DISTANCE LIMITS. MAX. SHIM THICKNESS TO BE 1/4". ANY INSTALLATION OPTION SHOWN MAY BE USED ON ANY OR ALL SIDES OF THE WINDOW.

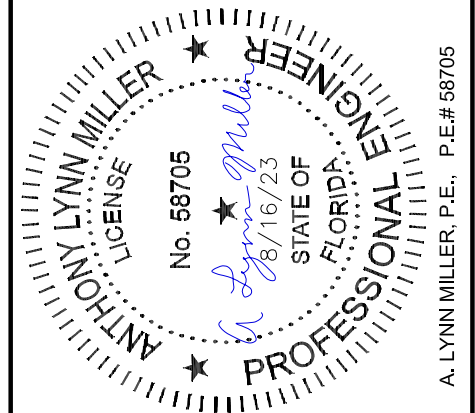
TABLE 5: INSTALLATION ANCHORS

Anchor	Substrate	Minimum Edge Distance	Minimum Embedment
#10 or #12 Steel or 410 SS Screw	Southern Pine (SG = .55)	9/16"	1-3/8"
	Aluminum, 6063-T5 min.	3/8"	0.050"
	Steel Stud, Gr. 33 min.	3/8"	0.045" (20 Ga)
	A36 Steel	3/8"	0.050"
3/16" Steel Ultracon+	Concrete (min. 2.9 ksi)	1"	1-3/4"
	UngROUTED CMU, (ASTM C-90)	1"	1-1/4"
	Southern Pine (SG = .55)	1"	1-3/8"
1/4" Steel Ultracon+	Concrete (min. 3.0 ksi)	1"	1-3/8"
	UngROUTED CMU, (ASTM C-90)	1"	1-1/4"
	Southern Pine (SG = .55)	1"	1-3/8"

1) ANCHOR MUST EXTEND A MINIMUM OF 3 THREADS BEYOND ANY METAL SUBSTRATE.

2) "UNGRouted CMU" VALUES MAY BE USED FOR GRouted CMU APPLICATIONS.

3) ALL ANCHOR HEAD TYPES ARE APPLICABLE.



REGISTRATION #29296

COPYRIGHT © 2021
NEWSOUTH WINDOW SOLUTIONS
LIMITED LICENSE TO MAKE
COPIES FOR PERMITTING

PREPARED BY: A. LYNN MILLER, P.E.
1070 TECHNOLOGY DR
N. VENICE, FL 34275
(941)-480-1600

MODEL 8600 PICTURE WINDOW

INSTALLATION SECTION VIEWS

NEWSOUTH WINDOW SOLUTIONS
10741 CROSSROADS COMMERCE BLVD.
TAMPA, FL 33610

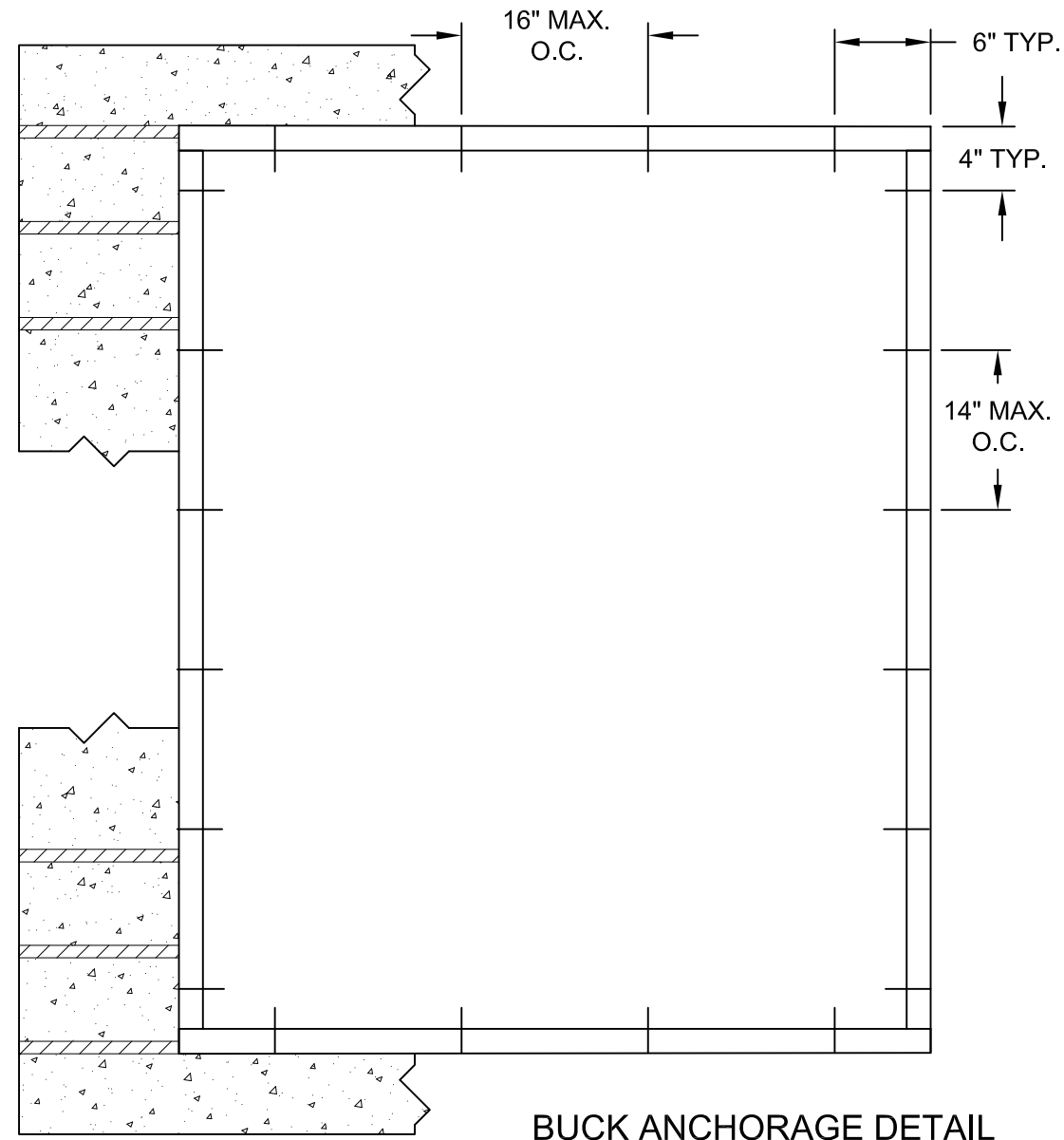
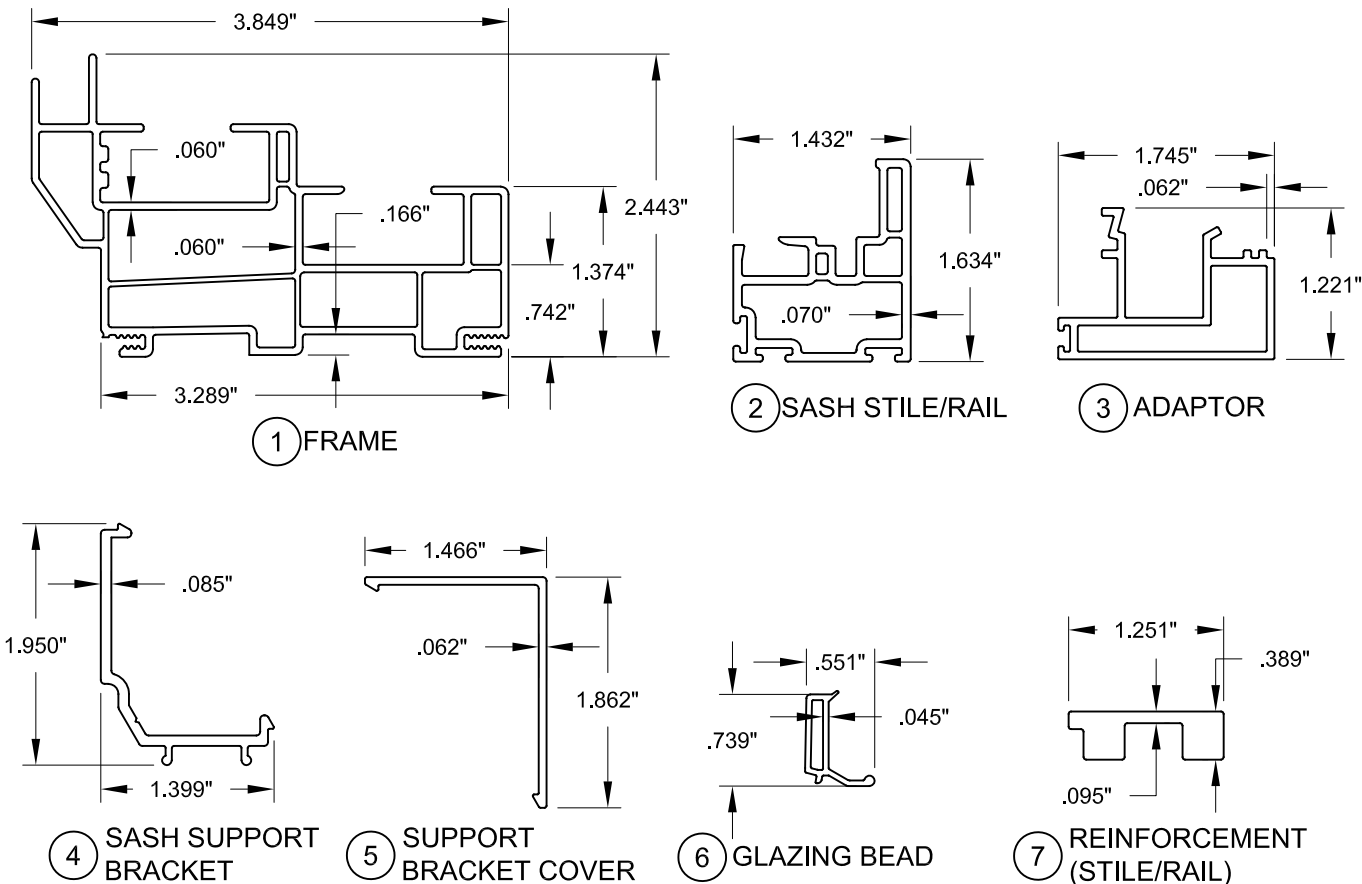
BY:	SB
REVISION:	REMOVE ULTRACONS, ADD SILICONE
DATE:	08/16/23
#:	A
DATE:	05/24/21
SCALE:	NTS
BY:	JENS ROSOWSKI
DRAWING #:	PW8600-FPA-01
SHEET:	3 OF 4

TABLE 6:

BILL OF MATERIALS

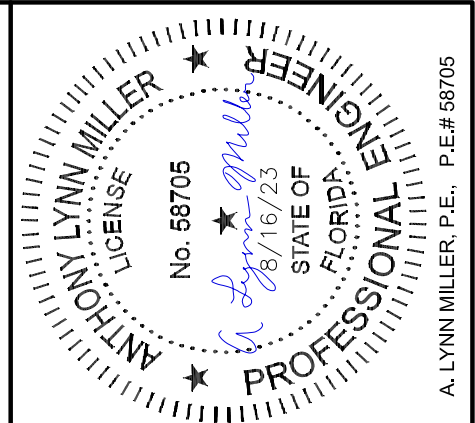
ITEM #	PART #	DESCRIPTION	MATERIAL
1	5443	FRAME	PVC
2	9438	SASH STILE/RAIL	PVC
3	9474	ADAPTOR	PVC
4	6110	SASH SUPPORT BRACKET - 6"	6063-T6
5	6111	SUPPORT BRACKET COVER	6063-T6
6	9425	GLAZING BEAD	PVC
7	6164	REINFORCEMENT	6063-T6
10	4003	WTSP, .187" x .270" POLYFIN	
11	4007	WTSP, .270" X .250" POLYFIN	
20		#6 x 1/2" PFH (@ REINFORCEMENT)	SS
21		#8 x 1" PPH (@ SASH SUPPORT CLIP)	SS
30		IG SPACER	VARIES
31		SIKA 552 & DOW 791/983/995 BACKBEDDING	SILICONE
33		SETTING BLOCK	

THE APPROVED WHITE, RIGID PVC EXTERIOR EXTRUSIONS FOR DOORS ARE TO BE PRODUCED BY EXTRUDERS' LICENSEES UNDER "AAMA CERTIFICATION PROGRAMS FOR RIGID PVC EXTRUSIONS".



Anchor	Substrate	Minimum Edge Distance	Minimum Embedment
1/4" Steel Ultracon or Ultracon+	Concrete (min. 3.0 ksi)	1"	1-3/8"
	UngROUTED CMU, (ASTM C-90)	1"	1-1/4"

- 1) "UNGROUTED CMU" VALUES MAY BE USED FOR GROUTED CMU APPLICATIONS.
- 2) ALL ANCHOR HEAD TYPES ARE APPLICABLE.
- 3) MASONRY ANCHOR LOCATIONS AT THE CORNERS MAY BE ADJUSTED TO MAINTAIN THE MINIMUM EDGE DISTANCE TO MORTOR JOINTS.
- 4) MASONRY ANCHOR LOCATIONS NOTED AS "MAX. ON CENTER" MUST BE ADJUSTED TO MAINTAIN THE MINIMUM EDGE DISTANCE TO MORTOR JOINTS, ADDITIONAL MASONRY ANCHORS MAY BE REQUIRED TO ENSURE THE "MAX. ON CENTER" DIMENSION IS NOT EXCEEDED.



REGISTRATION #29296
 COPYRIGHT © 2021
 NEWSOUTH WINDOW SOLUTIONS
 LIMITED LICENSE TO MAKE
 COPIES FOR PERMITTING

PREPARED BY: A. LYNN MILLER, P.E.
 1070 TECHNOLOGY DR
 N. VENICE, FL 34275
 (941)-480-1600

MODEL 8600 PICTURE WINDOW
 EXTRUSIONS & BOM
 NEWSOUTH WINDOW SOLUTIONS
 10741 CROSSROADS COMMERCE BLVD.
 TAMPA, FL 33610

REVISION:	DATE:	#:
REVISION: REMOVE ULTRACONS, ADD SILICONE 995	08/16/23	A
DATE: 05/24/21	SCALE: NTS	
BY: JENS ROSOWSKI	DRAWING #: PW8600-FPA-01	
SHEET: 4 OF 4		